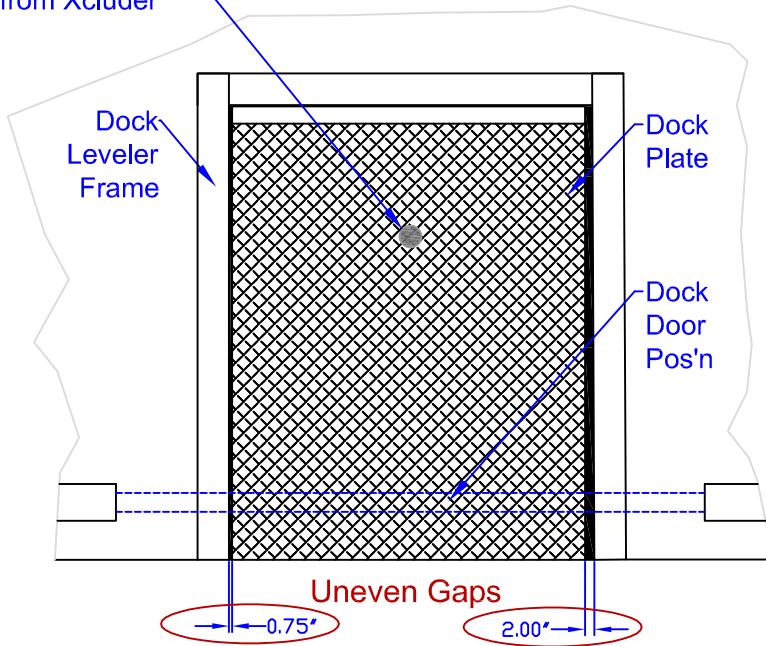


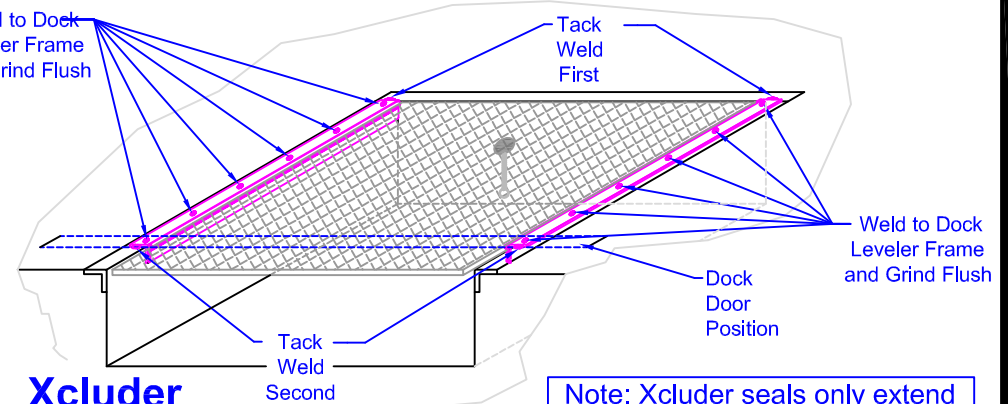
Pull Chain Seals are also available from Xcluder



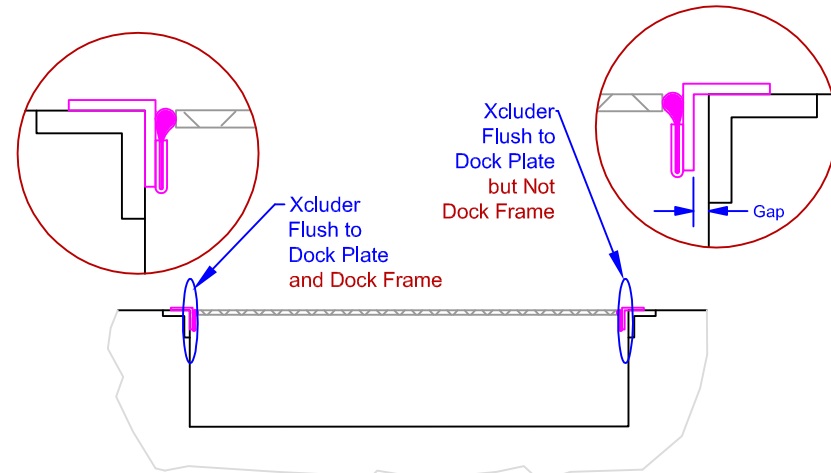
Typical Dock Leveler
Top View

Weld to Dock Leveler Frame and Grind Flush

Xcluder Installation
Ortho View




Note: Xcluder seals only extend from the rear frame to the dock door position; trim any excess



Xcluder Installation
Front View

Xcluder Dock Leveler Seal Installation Guidelines:

- > For gaps between 0.75" and 2.00"
- > Align rubber portion flush to the dock plate
- > For gaps 1.50" and under - weld metal bracket to the dock pit frame, tack weld inside holes, then grind flush
- > For gaps larger than 1.50", do not tack weld in the holes. Tack weld on the outer edge of the bracket, adjacent to the holes
- > Always tack weld the ends of the Xcluder bracket to the dock pit frame

Xcluder Dock Leveler Seal Installation Graphic		
 RODENT AND PEST DEFENSE		PROJECT MANAGER
CHICAGO, ILLINOIS	DATE 12-8-14	DRAWING NO. XDLHDSS09252014